

# Orchestra



Wilde + Spieth

Orchestra

Wilde + Spieth

For more than 50 years Wilde + Spieth produces premium quality orchestra chairs, stools and equipment for professional musicians. Art and ability belong together like musicians and our orchestra collection.

Wilde + Spieth has served musicians with long lasting products – created with experience and craftsmanship. Long rehearsals and concerts demand perfect tools.

Wilde + Spieth values seating, but also places priority on ergonomics and function. Improper seating results in back pain and circulatory problems, which stress the musician. With your health in mind, Wilde + Spieth develops musician chairs, music stands and accessories designed and manufactured with many different adjustments to optimally conform to the body. The position-tilting seat, available for all Wilde + Spieth musician chairs, relieves with lumbar vertebra support and raises the pelvis in order to direct and facilitate circulation in the legs.

Adjustable height for the back or seat enables the tools to conform to people, not the other way around. So that the seating remains comfortable with longer use, Wilde + Spieth utilizes ventilation holes and breathable upholstery of pure rubber fiber. A seat that keeps its form even with intensive use.



Orchestra Chair  
Model 7101200  
p. 8



Orchestra Chair  
Model 7101201  
p. 10



Orchestra Chair  
Model 7101202  
p. 14



Orchestra Chair  
Model 7101211  
p. 16



Orchestra Chair  
Model 7101219  
p. 18



Conductor's Chair  
Model 7101203  
p. 20



Chair for Kettledrums  
and Conductors  
Model 7101206/1  
p. 24



Chair for Percussion,  
Cello and Harp  
Model 7101205  
p. 26



Double Bass Chair  
Model 7101207  
p. 28



Bass Travel Stool  
Model 7101208  
p. 30



Piano Stool  
Model 7101204  
p. 34



Piano Stool  
Model 7101243  
p. 36



Music Stand  
Model 7111301  
p. 38



Conductor's Music Stand  
Model 7111302  
p. 40



Sound Insulation Element  
Model 7101409  
p. 44



Sound Insulation Element  
Model 7101412  
p. 46



LED Music Stand Lamp  
Model 7111330  
p. 48



Power Tower  
Charging Station  
Model 7111321  
p. 52



LED Transmitter  
Model 7111322  
p. 54



Rechargeable Battery  
Model 7111323  
p. 56



Standard  
Accessory Shelf  
Model 7131503  
p. 58



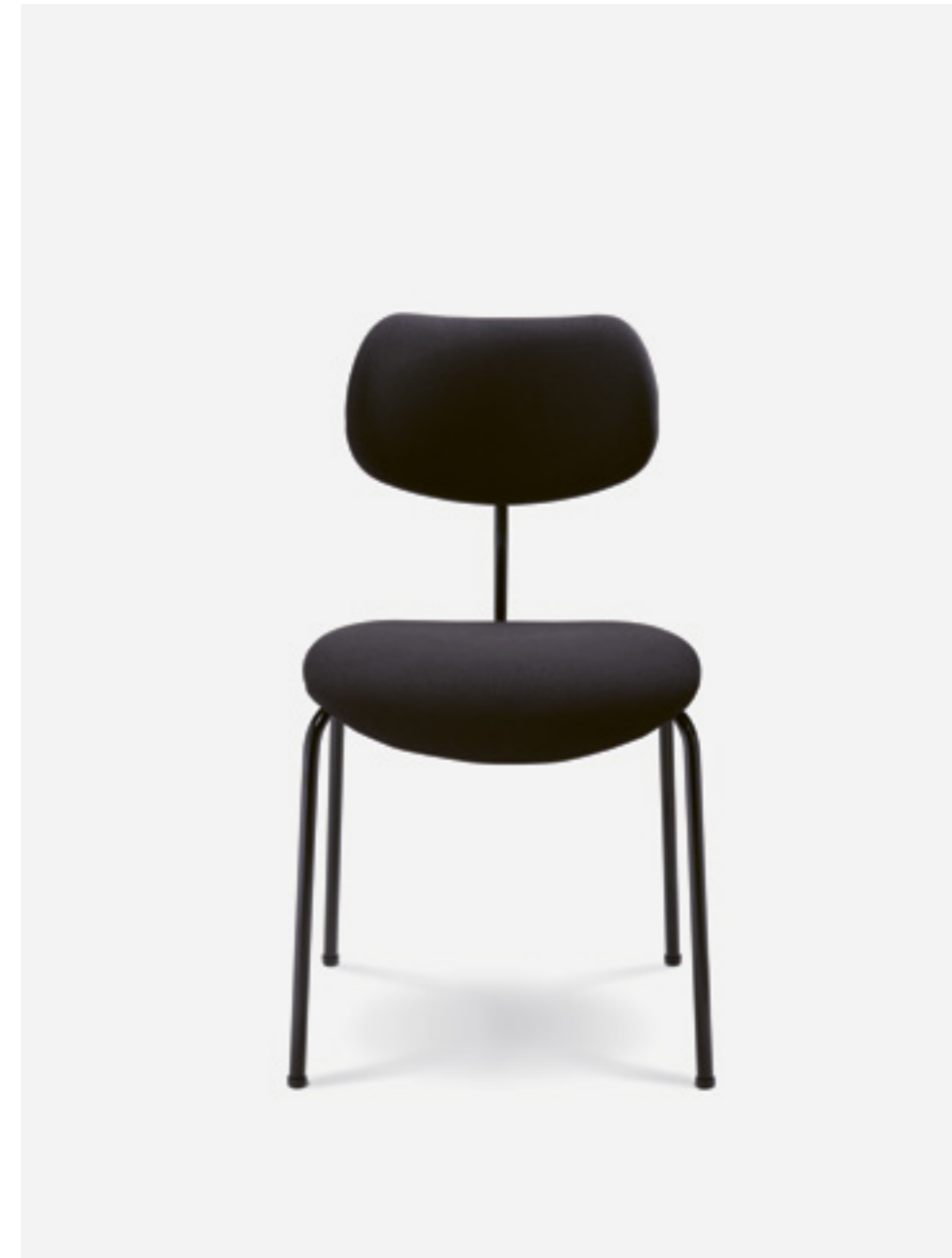
Bassoon  
Accessory Shelf  
Model 7131504  
p. 62



Transport Cart  
Model 7151000  
p. 64

## Orchestra Chair Model 7101200

---



This Orchestra Chair is stackable; the standard version with a stacking rubber pad under the seat and the upholstered version with a stacking board under the seat. The 4-legged frame is made of tubular steel with a black powder coating. Seat and backrest are made of laminated beech veneer with PU foam upholstery. The backrest support is made of bent tubular steel. The backrest is made of black plastic. (→Details/p.66)

## Orchestra Chair Model 7101201

---



This Orchestra Chair is stackable with a stacking rack which allows for up to 6 chairs to be stacked. The 4-legged frame is made of tubular steel with a diameter of 18 mm x 2 mm and a black powder coating. Seat and backrest are made of laminated beech veneer. The upholstered seat version comes with standard ventilation holes and rubber fibre material for better comfort. The seat tilt can be increased or decreased. The backrest is made of black plastic. (→Details/p.66)



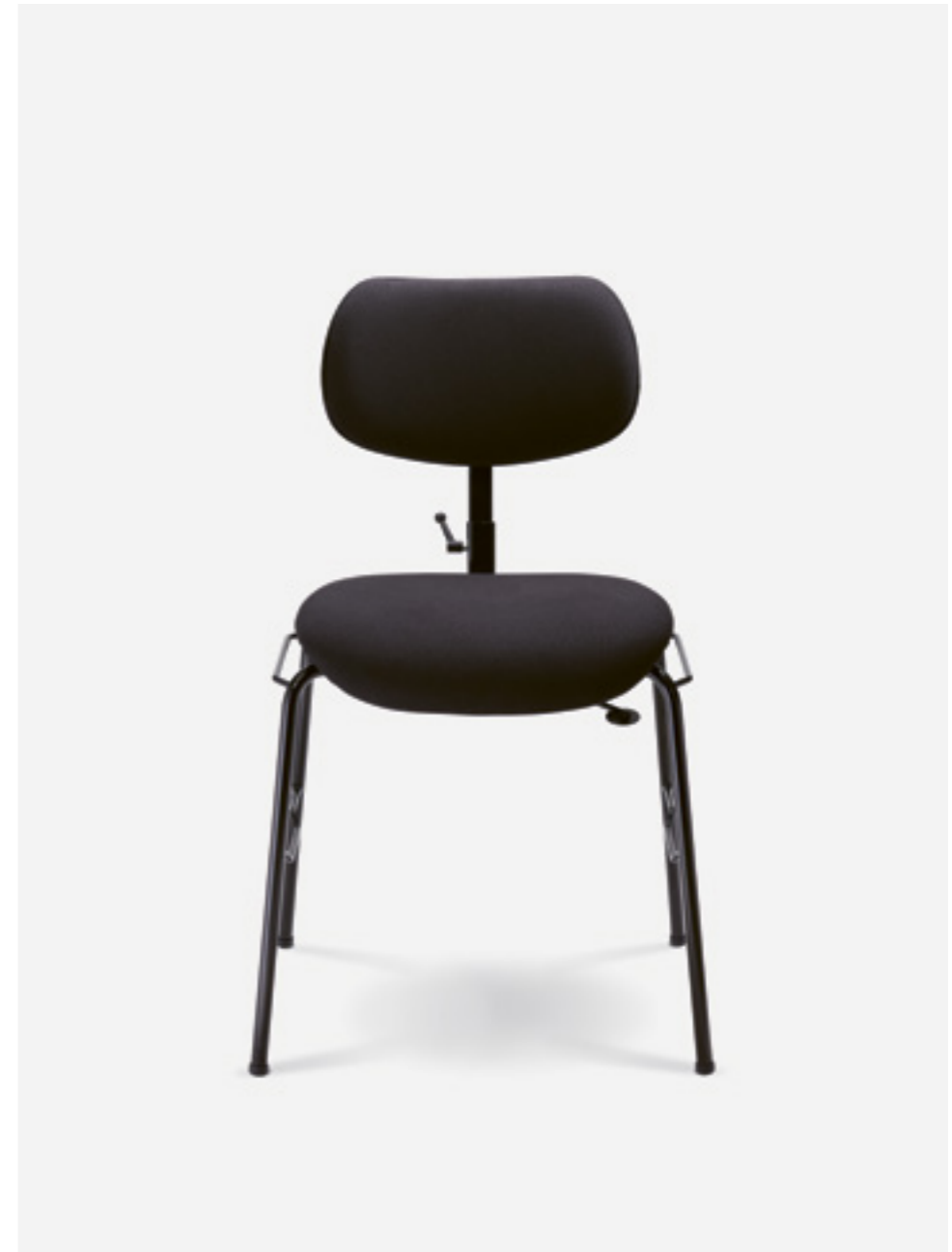


Concert hall — Hamburg

Elbphilharmonie

## Orchestra Chair Model 7101202

---



This Orchestra Chair is stackable with a stacking rack that allows for up to 6 chairs to be stacked. The 4-legged frame is made of tubular steel with a diameter of 18 mm x 2 mm and a black powder coating. Seat and backrest are made of laminated beech veneer. The upholstered seat version comes with standard ventilation holes and rubber fibre material for better comfort. The seat tilt can be increased or decreased. The backrest is adjustable in height and angle and is made of black plastic. (→ Details / p. 66)



## Orchestra Chair Model 7101211

---

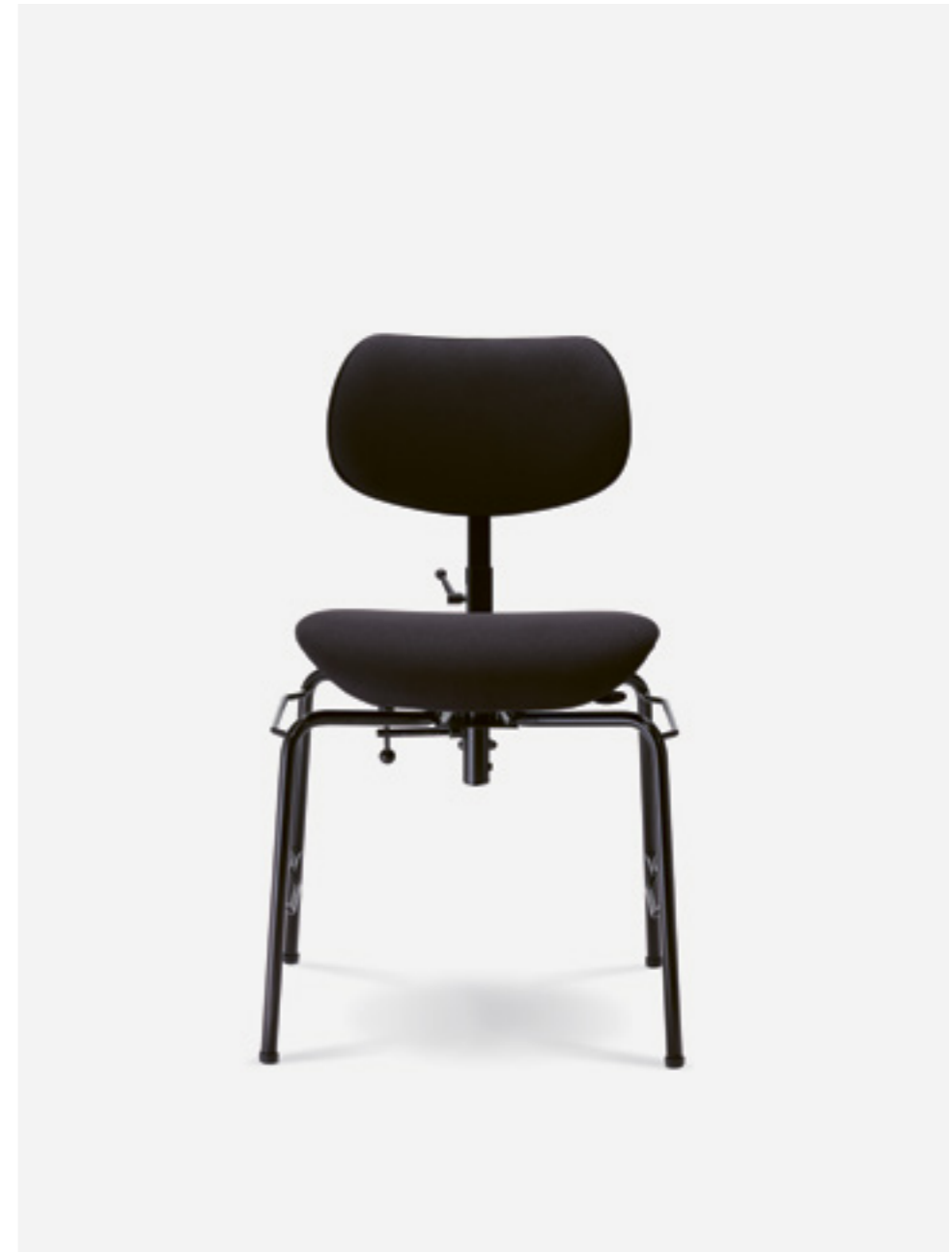


This Orchestra Chair is stackable with a stacking rack that allows for up to 5 chairs to be stacked. The 4-legged frame is made of tubular steel with a diameter of 18 mm x 2 mm and a black powder coating. The seat height is adjustable via locking nut. It optionally comes with a mechanical position-tilting. Seat and backrest are made of laminated beech veneer. The upholstered seat version comes with standard ventilation holes and rubber fibre material for better comfort. The backrest is made of black plastic. (→ Details / p. 66)



## Orchestra Chair Model 7101219

---



This Orchestra Chair is stackable with a stacking rack that allows for up to 5 chairs to be stacked. The 4-legged frame is made of tubular steel with a diameter of 18 mm x 2 mm and a black powder coating. The seat height is adjustable via locking nut. It optionally comes with a mechanical position-tilting. Seat and backrest are made of laminated beech veneer. The upholstered seat version comes with standard ventilation holes and rubber fibre material for better comfort. The backrest is adjustable in height and angle and is made of black plastic (→ Details / p. 66).

## Conductor's Chair Model 7101203

---



The Conductor's Chair has a foot bar for leg support. The 4-legged frame is made of tubular steel with a diameter of 18 mm x 2 mm and a black powder coating. Seat and backrest are made of laminated beech veneer. The upholstered seat version comes with standard ventilation holes and rubber fibre material for better comfort. The backrest is made of black plastic. (→Details/p.66)



# Jazz Campus Basel

Academy, music school and jazz club — Basel





The Chair for Kettledrums and Conductors has a 5-legged star base with black powder coating and a chrome triangle foot rest made of tubular steel. It features position-tilting via gas spring and a swivel seat. The chair is also available with a non-swivel seat on request. Seat and backrest are made of laminated beech veneer. The upholstered seat version comes with standard ventilation holes and rubber fibre material for better comfort. The backrest is adjustable in height and angle and made of black plastic. The seat height is also adjustable. (→Details / p.66)



The Chair for Percussion, Cello and Harp has a 5-legged star base with black powder coating. It features position-tilting via gas spring and a swivel seat. The chair is also available with a non-swivel seat on request. Seat and backrest are made of laminated beech veneer. The upholstered seat version comes with standard ventilation holes and rubber fibre material for better comfort. The backrest is adjustable in height and angle and made of black plastic. The seat height is also adjustable. (→ Details / p.66)



## Double Bass Chair Model 7101207

---



The Double Bass Chair has a 4-legged frame made of tubular steel with a black powder coating. It features anti-tip safety, two folding footrests made of PU foam that are adjustable in height and direction, seat height adjustment via locking nut and a non swivel seat with an integrated notch for the right leg (also available with notch for the left leg, or round seat). Seat and backrest are made of laminated beech veneer. The upholstered seat version comes with standard ventilation holes and rubber fibre material for better comfort. The backrest is adjustable in height and angle and made of black plastic. (→ Details / p. 66)

## Bass Travel Stool Model 7101208

---



The Bass Travel Stool has a 4-legged frame made of tubular steel with a black powder coating. It is stackable with stacking rack. It features a folding footrest made of PU foam that are adjustable in height and direction, seat height adjustment via locking nut and a non swivel seat. The seat is made of laminated beech veneer. The upholstered seat version comes with standard ventilation holes. (→Details/p.66)







Staatsoper Unter den Linden

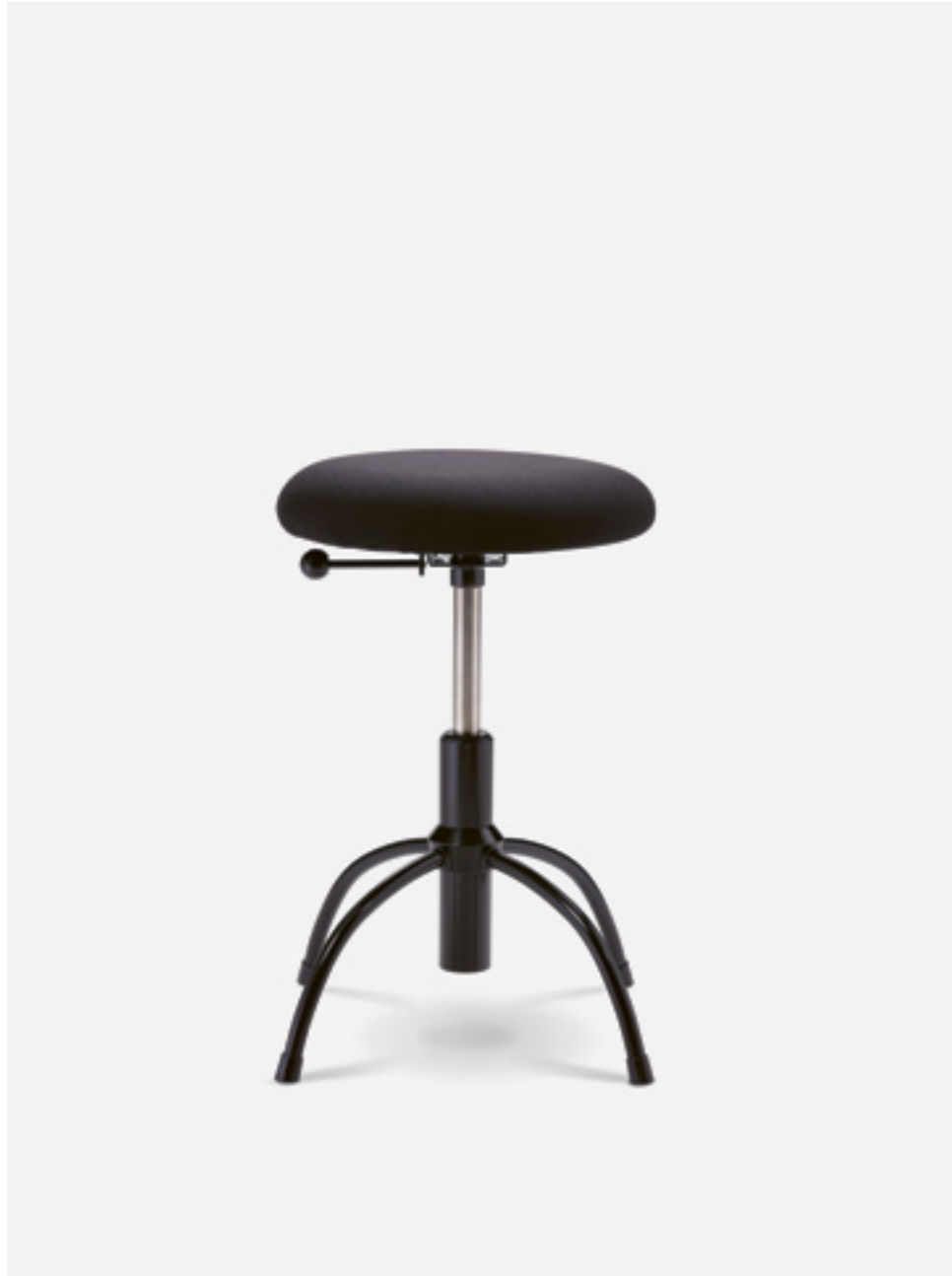
Opera house — Berlin



The Piano Stool has a 5-legged star base with black powder coating. The stool comes with a non-revolving stool plate. The anatomic PU foam upholstery provides comfortable seating. The seat height is adjustable via gas spring. (→ Details / p.66)

Piano Stool Model 7101243

---



The Piano Stool has a 4-legged frame made of tubular steel with black powder coating. It features position-tilting via gas spring and a swivel seat. The round seat is made of upholstered laminated beech veneer. The PU foam upholstery provides comfortable seating. (→Details / p. 66)





The Music Stand has a 3-legged, thick-walled base made of polypropylene plastic. The base pipe is black powder coated with a chrome plated extension pipe. The height is adjustable. The music rest is made of laminated layers of natural beech veneer with a clear DD lacquer finish. (→ Details / p.68)

## Conductor's Music Stand Model 7111302

---



The Conductor's Music Stand has a 5-legged base made of polypropylene with a steel core. The base pipe is black powder coated with a chrome plated extension pipe. The music rest is made of laminated layers of natural beech veneer with clear DD lacquer finishing. (→ Details / p.68)



Pierre Boulez Saal

Concert hall — Berlin





The Sound Insulation Element has a 3-legged base made of polypropylene plastic with thick walls. The base pipe is black powder coated with an chrome plated extension pipe. The top is made of Makrolon. (→ Details / p.68)

## Sound Insulation Element Model 7101412

---



The Sound Insulation Element has a 3-legged base made of polypropylene plastic with thick walls. The base pipe is black powder coated with a chrome plated extension pipe. The top is padded and covered with Camira Xtreme color YS009 Havana black. The sound diminution is approximately 5 dB

(Sound measure of Accident Insurance Society, Rheinland-Pfalz: dated Sept. 1, 1996). (→ Details/p. 68)



## LED Music Stand Lamp Model 7111330

---



The LED Music Stand Lamp is compatible with the Wilde + Spieth music stands 7111301 and 7111302. The lamp features a swan neck and high performance rechargeable batteries (UN 38.3 tested). It is dimmable and lasts up to 9 hours at maximum operating performance. Optionally controllable via DMX signal. (→Details/p.69)



**Berliner Philharmonie**

Concert hall — Berlin

## Power Tower Charging Station Model 711321

---



The Power Tower Charging Station has a capacity for up to 20 high performance rechargeable batteries. Its solid black housing comes with a leather handle for easy transportation. It is set up in no time and very easy to use. The charging process does not take more than 2 hours. (→Details / p. 69)





The LED Transmitter allows to control up to 256 Wilde + Spieth LED Music Stand Lamps simultaneously via a DMX signal. The lamps can be controlled individually or in groups. It is freely programmable with up to 512 channels. (→ Details / p. 69)



The Rechargeable Battery for the Wilde + Spieth LED Music Stand Lamp is equipped with a status index indicator and has no memory effect. It is charged via the Wilde + Spieth Power Tower Charging Station with a maximum charging time of 2 hours. (→Details / p.69)

## Standard Accessory Shelf Model 7131503

---



Standard Accessory Shelf with a frame made of natural beech veneer and a clear DD lacquer finishing. The shelf is open to the left and to the right and is padded with black synthetic leather. It can be attached to stands, extension posts or to the leg of a chair with a clamp.

# Jazz Campus Basel

Academy, music school and jazz club — Basel



## Bassoon Accessory Shelf Model 7131504

---



Bassoon Accessory Shelf with a frame made of natural beech veneer and a clear DD lacquer finishing. The shelf is open to the left and to the right and is padded with black synthetic leather. It can be attached to stands, extension posts or to the leg of a chair with a clamp.



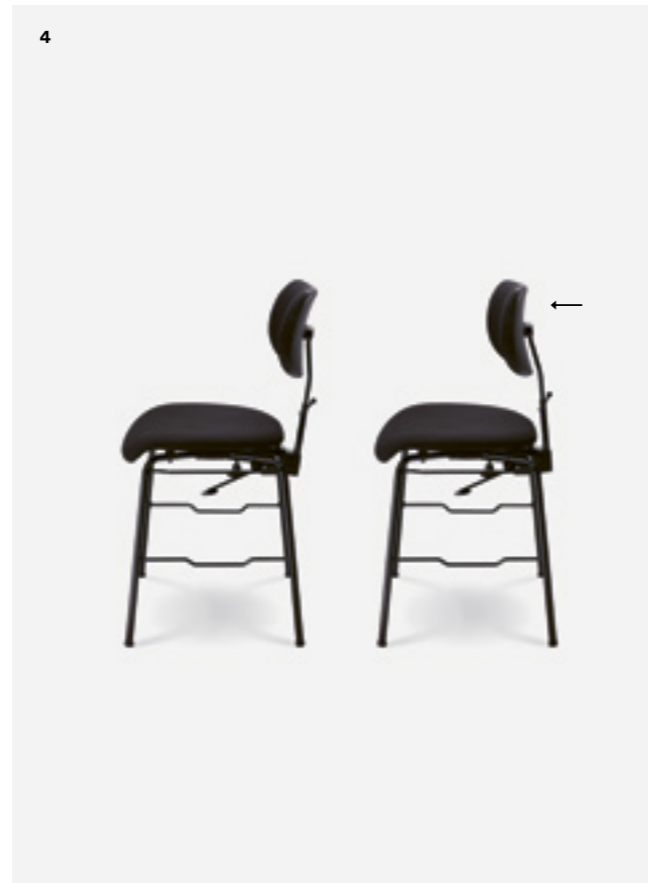
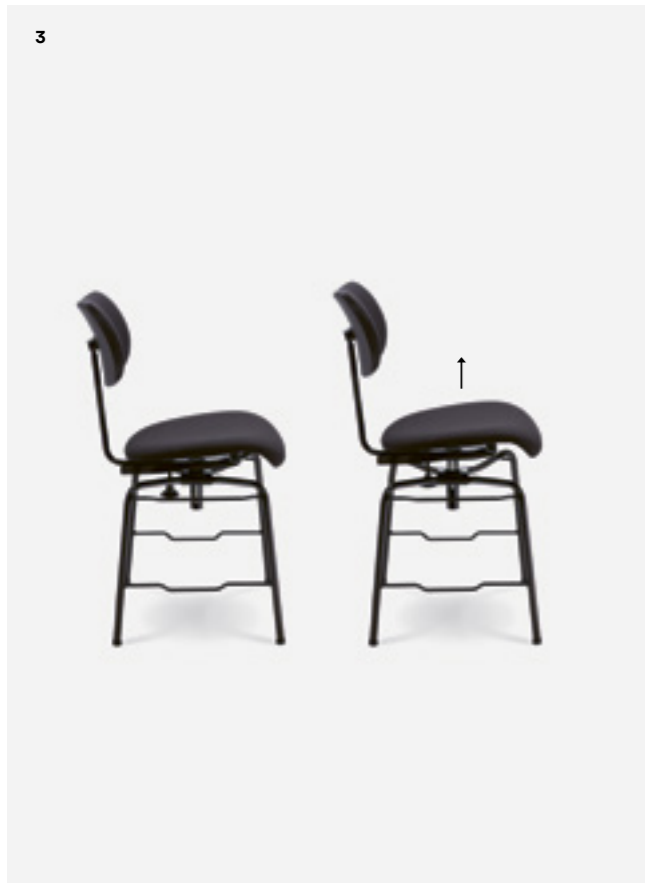
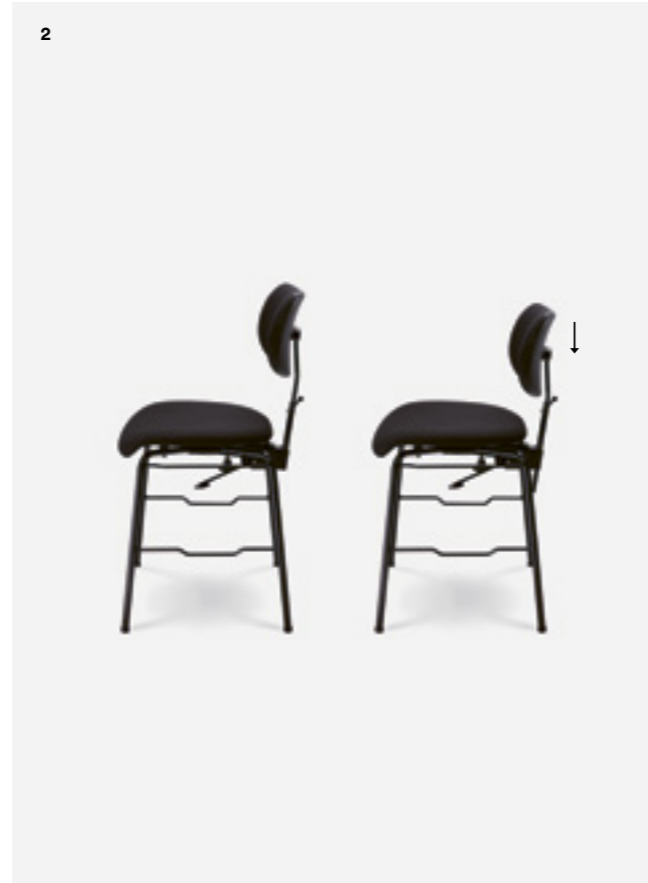
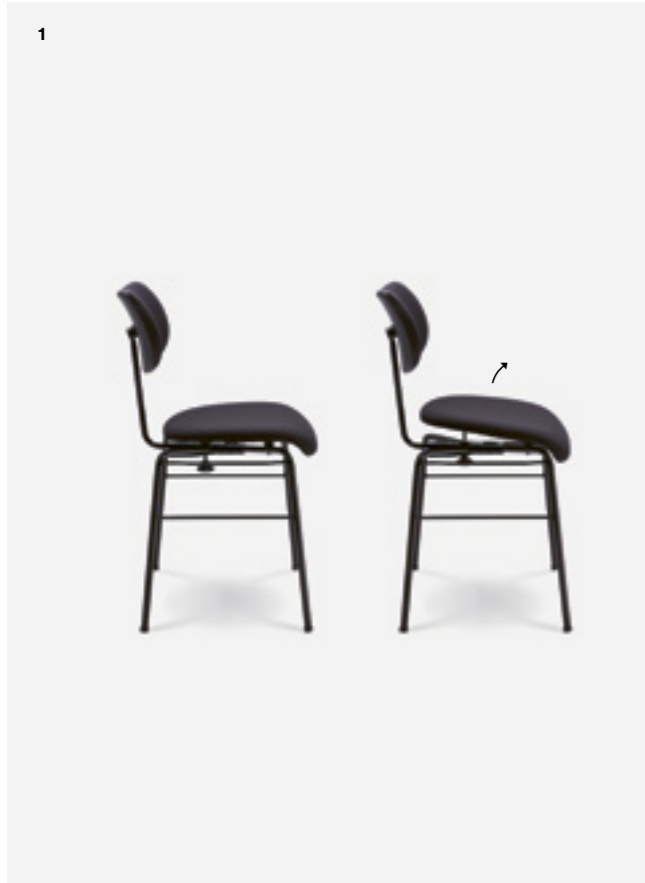
## Transport Cart Model 7151000

---



The Transport Cart is made of powder coated tubular steel (serial colour is blue). The chair hooks are collapsible and adjustable in height. The cart has two wheels and is fit for approx. 8–10 chairs. Its solid design makes the cart easy and safe to use – even when it is fully loaded.





**1 Position-tilting**

The position-tilting seat relieves with lumbar vertebra support and raises the pelvis in order to direct and facilitate circulation in the legs. By turning the adjusting screw below the seat, you can increase or decrease the seat tilt.

**2 Height adjustable backrest**

Adjustable height for the back enables the chair to be set up according to many different preferences. Use the locking lever of the backrest to release the backrest. Manually push or pull the backrest to a desired height.

**3 Height adjustable seat**

Adjustable height of the seat ensures flexibility and comfort. Below the seat (for a seated person on the right side) is a locking lever (toggle). With this lever the seat height can be changed to the desired height. Open the lever and change the seat height by shifting your body weight.

**4 Backrest-tilting**

With the long lever below the seat (for a seated person on the left side), the back tilt can be adjusted. By pulling and holding the lever up the backrest is pressing against your back with a slight counterpressure.

**5 Upholstery**

Wilde + Spieth designed the seat upholstery with durability in mind. So that the seating remains comfortable with longer use, Wilde + Spieth utilizes ventilation holes and breathable upholstery of pure rubber fiber (natural latex). A seat that keeps its form even with intensive use.



**1 Music Stand Feet**

Choose either three-legged, thick-walled base of polypropylene plastic (Base Type A), heavy metal feet (Base Type B) or three-legged metal stackable base (Base Type C).

**2 LED wireless music stand**

The new LED lamp enables orchestra musicians to illuminate their music stands in an optimal way. Cables are no longer necessary on the stage, since the LED lamp is battery-operated. The DMX Wireless Dimming technology can be easily integrated into on stage lighting concepts.

**3 LED transmitter**

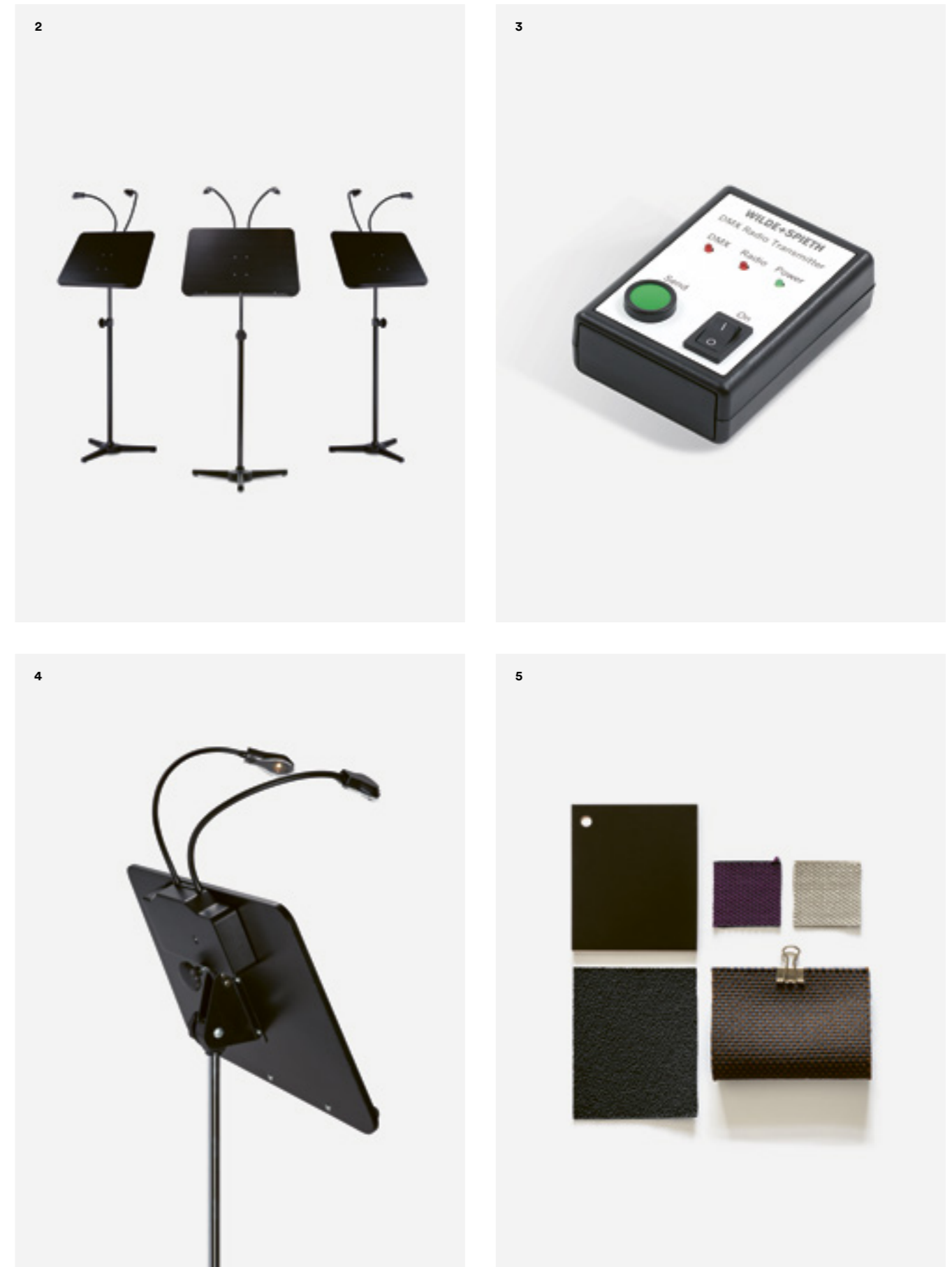
Freely programmable transmitter for LED lamp systems with DMX signal. With this transmitter the LED lamps can be controlled and dimmed individually or in groups. The lamps are freely programmable up to 512 channels (i.e. 256 music stand lamps with 512 LEDs).

**4 LED music stand lamp**

Innovative and attractively designed LED music stand lamp for Wilde+Spieth music stand 713 1301 and 711 3102, consisting of lamp with swan neck and high performance rechargeable battery (UN 38.3 tested). The lamp is wireless, dimmable and can optionally be controlled via DMX signal. The maximum operating time at maximum performance is approximately 9 hours. The lamp is designed to ensure low heat development.

**5 Materials and Customization**

Customized colours and fabrics are feasible upon request. To help you choose, we will be glad to send you the sample chart. Wilde+Spieth also offers customized models within our range of possibilities. We are always open to discuss your ideas.



## Technical Details

### Orchestra Chair Model 7101200

#### Specifications

##### Frame

Stackable with stacking rubber pad under the seat; in upholstered version with stacking board under the seat, 4-legged frame, max. of 8 chairs stackable, tubular steel, Diameter 18 mm x 2 mm, black powder coated.

##### Seat and backrest

Seat and backrest of laminated beech veneer. PU foam upholstery. Backrest support of bent tubular steel. Backrest black plastic.

##### Dimensions

Object: H 83 cm x W 49 cm x D 46 cm  
Standard seat upholstered version: H 48 cm x W 45 cm x D 41 cm  
Standard seat beech version: H 47 cm x W 45 cm x D 40 cm

#### Custom-made

Special seat height on request.

#### Weight

6.0 kg

#### Colors and Materials

##### Frame

Chrome, Black powder coated

##### Seat and backrest

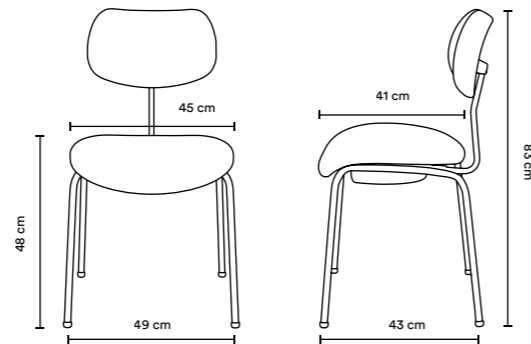
Stained black

##### Upholstery

Advantage, Camira Xtreme plus

##### Custom-made

Special colours and fabrics on request.  
(Fabric required 73 cm x 130 cm)



### Orchestra Chair Model 7101201

#### Specifications

##### Frame

Stackable with stacking rack, max. of 6 chairs stackable. 4-legged frame, tubular steel, diameter 18 mm x 2 mm, black powder coated.

##### Seat and backrest

Seat and backrest of laminated beech veneer; upholstered seat: standard ventilation holes. Rubber fibre material for better comfort. Backrest black plastic.

##### Adjustability

Position-tilting

##### Dimensions

Object: H 83 cm x W 53 cm x D 53 cm  
Standard seat upholstered version: H 50 cm x W 43 cm x D 41 cm

#### Custom-made

Special seat height on request.

#### Weight

7.0 kg

#### Colors and Materials

##### Frame

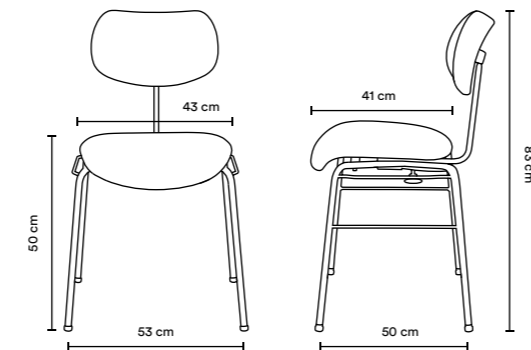
Chrome, Black powder coated

##### Upholstery

Advantage, Camira Xtreme plus

##### Custom-made

Special colours and fabrics on request.  
(Fabric required: 73 cm x 130 cm)



### Orchestra Chair Model 7101202

#### Specifications

##### Frame

Stackable with stacking rack, max. of 6 chairs stackable. 4-legged frame, tubular steel, diameter 18 mm x 2 mm, black powder coated.

##### Seat and backrest

Seat and backrest of laminated beech veneer; upholstered seat: standard ventilation holes. Rubber fibre material for better comfort. Backrest adjustable in height and angle. Backrest black plastic.

##### Adjustability

Position-tilting, Height adjustable backrest, Backrest-tilting

#### Dimensions

Object: H 86 cm (max) x W 53 cm x D 52 cm  
Standard seat upholstered version: H 50 cm x W 43 cm x D 40 cm

#### Custom-made

Special seat height on request.

#### Weight

9.0 kg

#### Colors and Materials

##### Frame

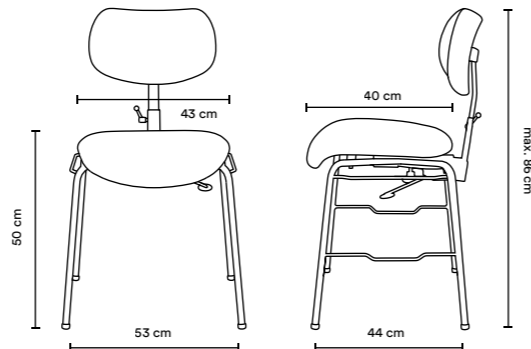
Chrome, Black powder coated

##### Upholstery

Advantage, Camira Xtreme plus

##### Custom-made

Special colours and fabrics on request.  
(Fabric required 73 cm x 130 cm)



## Technical Details

### Orchestra Chair Model 7101211

#### Specifications

##### Frame

Stackable with stacking rack, max. of 5 chairs stackable. 4-legged frame, tubular steel, diameter 18 mm x 2 mm, black powder coated. Mechanical position-tilting.

##### Seat and backrest

Seat and backrest of laminated beech veneer; upholstered seat: standard ventilation holes. Rubber fibre material for better comfort. Backrest black plastic.

##### Adjustability

Position-tilting, Height adjustable seat

#### Dimensions

Object: H 88 cm (max) x W 49 cm x D 53 cm  
Standard seat upholstered version: H 50 - 55 cm x W 43 cm x D 41 cm

#### Custom-made

Special seat height on request.

#### Weight

9.0 kg

#### Colors and Materials

##### Frame

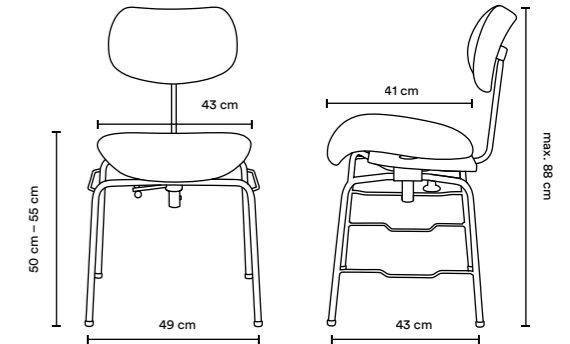
Chrome, Black powder coated

##### Upholstery

Advantage, Camira Xtreme plus

##### Custom-made

Special colours and fabrics on request.  
(Fabric required 73 cm x 130 cm)



### Orchestra Chair Model 7101219

#### Specifications

##### Frame

Stackable with stacking rack, max. of 5 chairs stackable. 4-legged frame, tubular steel, diameter 18 mm x 2 mm, black powder coated.

##### Seat and backrest

Seat and backrest of laminated beech veneer; upholstered seat: standard ventilation holes. Mechanical position tilting. Rubber fibre material for better comfort. Backrest adjustable in height and angle. Backrest black plastic.

##### Adjustability

Position-tilting, Height adjustable backrest, Height adjustable seat, Backrest-tilting

#### Dimensions

Object: H 88 cm (max) x W 53 cm x D 52 cm  
Standard seat upholstered version: H 50 - 55 cm x W 43 cm x D 41 cm

#### Custom-made

Special seat height on request.

#### Weight

11.0 kg

#### Colors and Materials

##### Frame

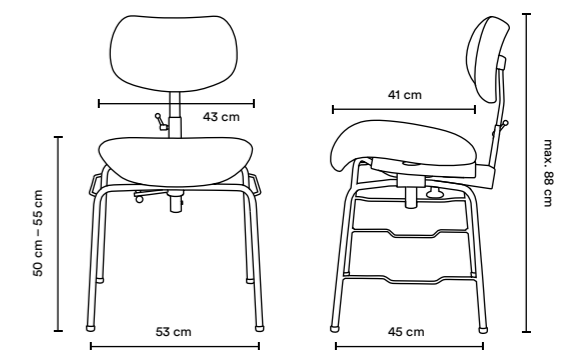
Chrome, Black powder coated

##### Upholstery

Advantage, Camira Xtreme plus

##### Custom-made

Special colours and fabrics on request.  
(Fabric required 73 cm x 130 cm)



### Conductor's Chair Model 7101203

#### Specifications

##### Frame

Foot bar for leg support. 4-legged frame, tubular steel, diameter 18 mm x 2 mm, black powder coated.

##### Seat and backrest

Seat and backrest of laminated beech veneer; upholstered seat: standard ventilation holes. Rubber fibre material for better comfort. Backrest black plastic.

##### Dimensions

Object: H 100 cm x W 50 cm x D 50 cm  
Standard seat upholstered version: H 67 cm x W 45 cm x D 41 cm

#### Custom-made

Special seat height on request.

#### Weight

8.0 kg

#### Colors and Materials

##### Frame

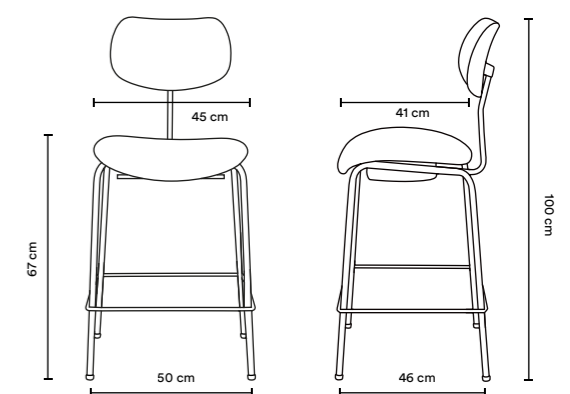
Chrome, Black powder coated

##### Upholstery

Advantage, Camira Xtreme plus

##### Custom-made

Special colours and fabrics on request.  
(Fabric required 73 cm x 130 cm)



## Technical Details

### Chair for Kettledrums and Conductors Model 7101206/1

#### Specifications

#### Frame

5-legged star base, black powder coated. Chrome triangle foot rest, tubular steel. Position-tilting via gas spring. Seat standard: swivel; non-swivel by request – please make sure to note upon order.

#### Seat and backrest

Seat and backrest of laminated beech veneer; upholstered seat: standard ventilation holes. Rubber fibre material for better comfort. Backrest adjustable in height and angle. Backrest black plastic.

#### Adjustability

Position-tilting, Height adjustable backrest, Height adjustable seat, Backrest-tilting

#### Dimensions

Object:

H 116 cm (max) × W 62 cm × D 65 cm  
Standard seat upholstered version:  
H 64 – 82 cm × W 43 cm × D 41 cm

#### Weight

14.0 kg

#### Colors and Materials

#### Frame

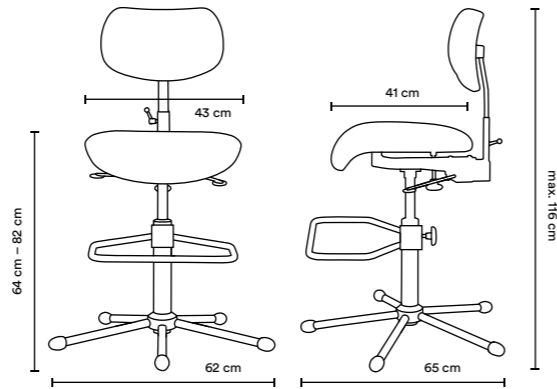
Chrome, Black powder coated

#### Upholstery

Advantage, Camira Xtreme plus

#### Custom-made

Special colours and fabrics on request.  
(Fabric required 73 cm × 130 cm)



### Chair for Percussion, Cello and Harp Model 7101205

#### Specifications

#### Frame

5-legged star base, black powder coated. Position-tilting via gas spring. Seat standard: swivel; non-swivel by request – please make sure to note upon order.

#### Seat and backrest

Seat and backrest of laminated beech veneer; upholstered seat: standard ventilation holes. Rubber fibre material for better comfort. Backrest adjustable in height and angle. Backrest black plastic.

#### Adjustability

Position-tilting, Height adjustable backrest, Height adjustable seat, Backrest-tilting

#### Dimensions

Object:

H 92 cm (max) × W 62 cm × D 65 cm  
Standard seat upholstered version:  
H 43 cm – 57 cm × W 43 cm × D 41 cm

#### Weight

12.0 kg

#### Colors and Materials

#### Frame

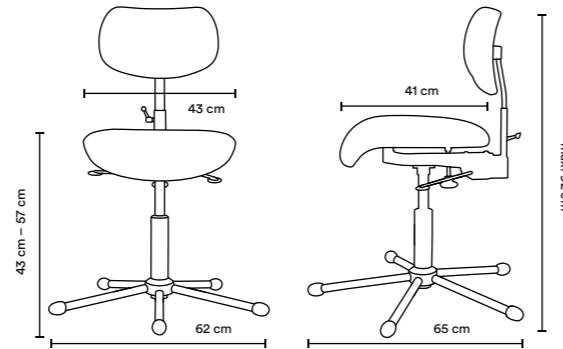
Chrome, Black powder coated

#### Upholstery

Advantage, Camira Xtreme plus

#### Custom-made

Special colours and fabrics on request.  
(Fabric required 73 cm × 130 cm)



### Double Bass Chair Model 7101207

#### Specifications

#### Frame

4-legged frame, tubular steel, diameter 25 mm × 2 mm, black powder coated. Anti-tip safety. Two folding footrests of PU foam, adjustable in height and direction. Seat height adjustment via locking nut. Non swivel seat; notch integrated for right leg.

#### Seat and backrest

Seat and backrest of laminated beech veneer; upholstered seat: standard ventilation holes. PU foam upholstery. Backrest adjustable in height and angle. Backrest black plastic.

#### Adjustability

Position-tilting, Height adjustable backrest, Height adjustable seat, Backrest-tilting

#### Dimensions

Object:

H 130 cm (max) × W 53 cm × D 67 cm  
Standard seat upholstered version:  
H 80 – 96 cm × Ø 43 cm

#### Weight

17.0 kg

#### Colors and Materials

#### Frame

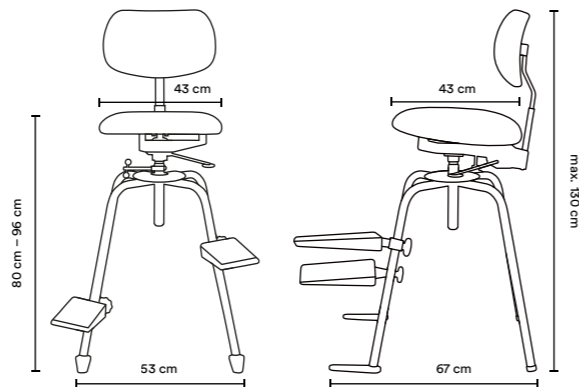
Chrome, Black powder coated

#### Upholstery

Advantage, Camira Xtreme plus

#### Custom-made

Special colours and fabrics on request.  
(Fabric required 55 cm × 130 cm)



## Technical Details

### Bass Travel Stool Model 7101208

#### Specifications

#### Frame

Stackable with stacking rack. 4-legged frame, tubular steel, diameter 25 mm × 2 mm, black powder coated. Folding footrest of PU foam. Non swivel seat.

#### Seat and backrest

Seat of laminated beech veneer; upholstered seat: standard ventilation holes. PU foam upholstery.

#### Adjustability

Height adjustable seat, Footrest adjustable in height and direction.

#### Dimensions

Object:

H 85 cm (max) × W 46 cm × D 46 cm  
Standard seat upholstered version:  
H 75 – 85 cm × Ø 38 cm

#### Weight

9.0 kg

#### Colors and Materials

#### Frame

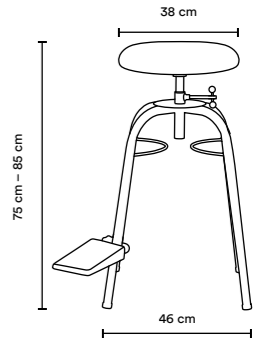
Chrome, Black powder coated

#### Upholstery

Advantage, Camira Xtreme plus

#### Custom-made

Special colours and fabrics on request.  
(Fabric required 55 cm × 130 cm)



### Piano Stool Model 7101204

#### Specifications

#### Frame

5-legged star base, black powder coated. Non-revolving stool plate.

#### Seat

Position-tilting via gas spring. Anatomic PU foam upholstery.

#### Adjustability

Height adjustable seat

#### Dimensions

Object:

H 54 cm (max) × W 60 cm × D 53 cm  
Standard seat upholstered version:  
H 46 – 54 cm × W 50 cm × D 38 cm

#### Weight

11.0 kg

#### Colors and Materials

#### Frame

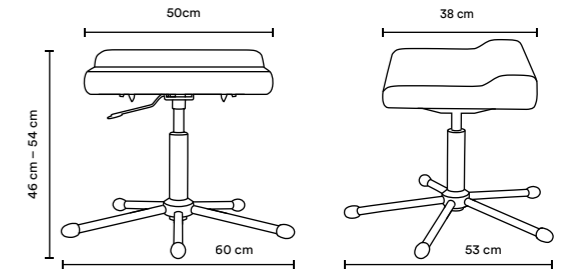
Chrome, Black powder coated

#### Upholstery

Advantage, Camira Xtreme plus

#### Custom-made

Special colours and fabrics on request.  
(Fabric required 85 cm × 130 cm)



### Piano Stool Model 7101243

#### Specifications

#### Frame

4-legged frame, tubular steel, diameter 18 mm × 2 mm, black powder coated. Position-tilting via gas spring. Swivel seat.

#### Seat

Seat of laminated beech veneer; upholstered seat; round.

#### Adjustability

Height adjustable seat

#### Dimensions

Object:

H 54 cm (max) × W 40 cm × D 40 cm  
Standard seat upholstered version:  
H 43 – 54 cm × Ø 35 cm

#### Weight

7.0 kg

#### Colors and Materials

#### Frame

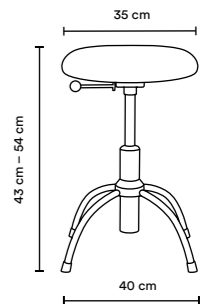
Chrome, Black powder coated

#### Upholstery

Advantage, Camira Xtreme plus

#### Custom-made

Special colours and fabrics on request.  
(Fabric required 55 cm × 130 cm)



## Technical Details

### Music Stand Model 7111301

#### Specifications

##### Stand

3-legged, thick-walled base of polypropylene plastic; Base Type A. Base pipe black powder coated. Extension pipe chrome.

##### Rest

Rest of laminated layers of beech veneer natural, finished with clear DD lacquer

##### Compatible bases

Type A, Type B, Type C

##### Dimensions

Height: 96 cm – 145 cm  
(floor to top edge of music rest)

Rest: L 56,5 cm x W 35 cm

##### Weight

approx. 5.0 kg

#### Colors and Materials

##### Stand

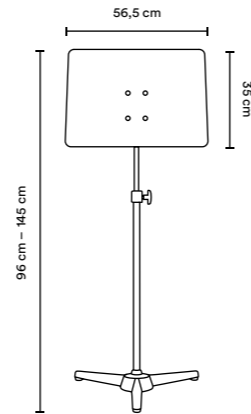
Black powder coated, Chrome

##### Rest

Natural beech, Stained black

##### Custom-made

Special colours on request.



### Conductor's Music Stand Model 7111302

#### Specifications

##### Stand

5-legged base of polypropylene with a steel core. Base pipe black powder coated. Extension pipe chrome.

##### Rest

Music rest of laminated layers of beech veneer natural, finished with clear DD lacquer.

##### Compatible bases

Type B

##### Dimensions

Height: 104 cm – 150 cm  
(floor to top edge of music rest)

Rest: W 60 cm x H 45 cm

##### Weight

approx. 8.0 kg

#### Colors and Materials

##### Stand

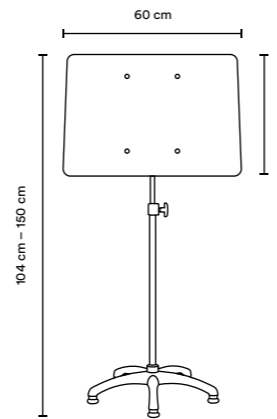
Black powder coated, Chrome

##### Rest

Natural beech, Stained black

##### Custom-made

Special colours on request.



### Sound Insulation Element Model 7101409

#### Specifications

##### Stand

3-legged base of polypropylene plastic with thick walls. Base Type A. Stand post: tubular steel black powder coated. Extension post of tubular steel chrome.

##### Top

Top of Makrolon (Patent pending).

##### Compatible bases

Type A, Type B, Type C

##### Dimensions

Height: 86 cm – 137 cm  
Element: W 46 cm x H 22 cm

##### Weight

approx. 4.0 kg

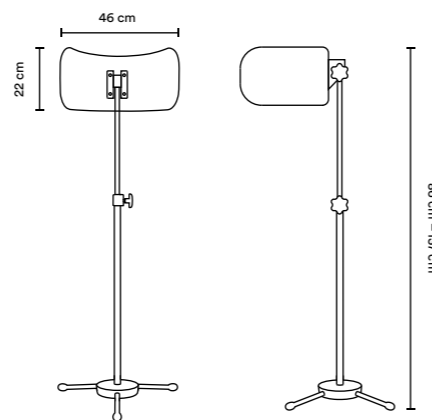
#### Colors and Materials

##### Stand

Black powder coated, Chrome

##### Top

Makrolon



### Sound Insulation Element Model 7101412

#### Specifications

##### Stand

3-legged base of polypropylene plastic with thick walls. Base Type A. Stand post: tubular steel black powder coated. Extension post of tubular steel chrome.

##### Top

Top padded and covered with fabric. Sound measure of Accident Insurance Society, Rheinland-Pfalz: dated Sept. 1, 1996: "... sound diminution to approximately 5dB..."

##### Compatible bases

Type A, Type B

##### Dimensions

Height: 108 cm – 158 cm  
(floor to top edge of element)  
Element: L 55 cm x W 40 cm x D 25 cm

#### Weight

approx. 7.0 kg

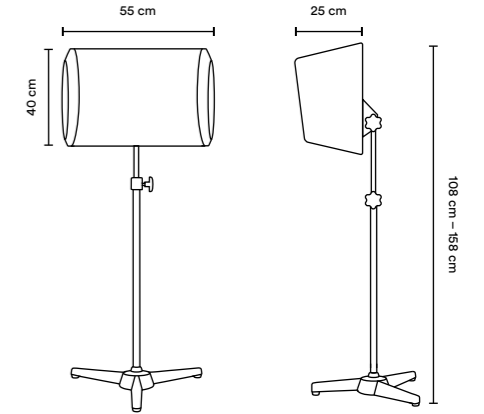
#### Colors and Materials

##### Stand

Black powder coated, Chrome

##### Top

Xtreme plus YS009 Havana black, flame resistant.



### LED Music Stand Lamp Model 7111330

#### Specifications

##### Compatibility

Wilde + Spieth music stand 7111301 and 7111302.

##### Features

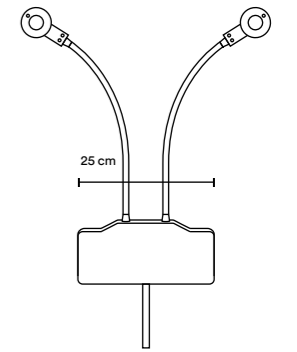
Swan neck, high performance rechargeable battery, UN 38.3 tested, dimmable, lasts up to 9 hours at maximum operating performance.

##### Options

Controllable manually and optionally via DMX signal.

##### Dimensions

L 25 cm



### Power Tower Charging Station Model 7111321

#### Specifications

##### Compatibility

Wilde + Spieth Rechargeable Battery Model 7111323

##### Features

Charges up to twenty rechargeable batteries at once

##### Dimensions

H 48 cm x W 10 cm x D 20 cm

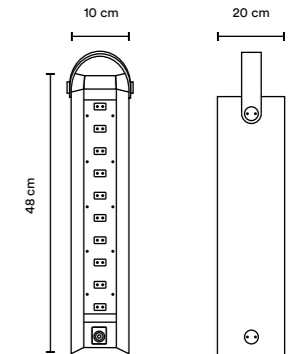
#### Colors and Materials

##### Frame

Black

##### Handle

brown leather



## Technical Details

## Technical Details

### LED Transmitter Model 7111322

#### Specifications

##### Compatibility

LED music stand lamp  
Model 7111330

##### Features

Lamps can be controlled individually or in groups, dimmable, freely programmable up to 512 channels (i.e. 256 music stand lamps with 512 LEDs)

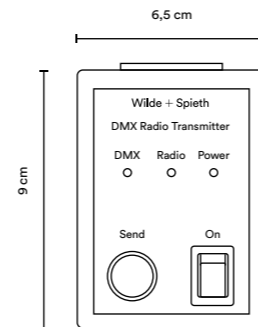
##### Dimensions

L 6,5 cm x W 9 cm

#### Colors and Materials

##### Frame

Black



### Rechargeable Battery Model 7111323

#### Specifications

##### Compatibility

LED music stand lamp  
Model 7111330, Power Tower  
Charging Station Model 7111321

##### Features

long lasting rechargeable battery, status index button, no memory effect.

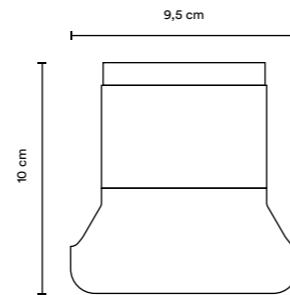
##### Dimensions

L 9,5 cm x W 10 cm

#### Colors and Materials

##### Frame

Black



### Standard Accessory Shelf Model 7131503

#### Specifications

##### Frame

Natural beech veneer, clear DD lacquer. Attaches to stand or extension post or to chair leg with a clamp. Padded with synthetic black leather.

##### Dimensions

L 37 cm x W 12 cm

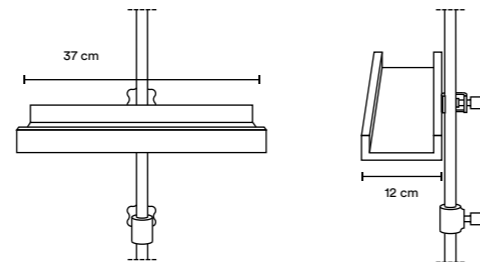
#### Colors and Materials

##### Frame (Wooden parts):

Natural beech, Stained black

##### Custom-made

Special Colors on request.



## Technical Details

### Bassoon Accessory Shelf Model 7131504

#### Specifications

##### Frame

Natural beech veneer, clear DD lacquer, closed. Attaches to stand or extension post or to chair leg with a clamp. Padded with synthetic black leather.

##### Dimensions

L 37 cm x W 17 cm

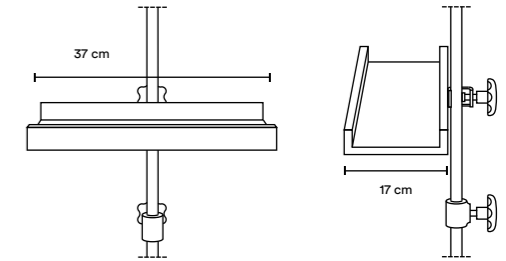
#### Colors and Materials

##### Frame (Wooden parts)

Natural beech, Stained black

##### Custom-made

Special Colors on request.



### Transport Cart Model 7151000

#### Specifications

##### Frame

Tubular steel, powder coated. Chair hooks collapsible and adjustable in height. 2 wheels.

##### Dimensions

H 140 cm x W 54 cm

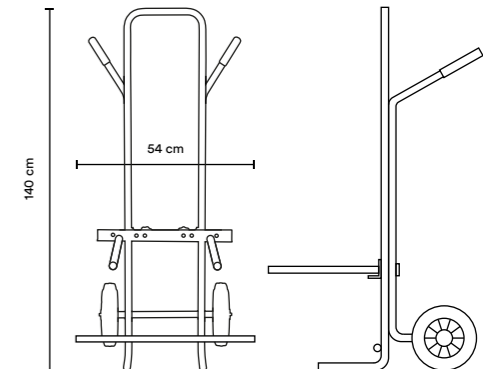
#### Colors and Materials

##### Frame

standard blue powder coated

##### Custom-made

Special Colors on request.



All dimensions are approximate information.





**Creative Direction & Graphic Design**  
Tilgner-Kempf

**Photography**

Michael Zapf  
(Elbphilharmonie, Hamburg)  
Michael Fritschi  
(Jazz Campus Basel, Basel)  
Volker Kreidler  
(Pierre Boulez Saal Berlin, Berlin)  
Lauterbach  
(Berliner Philharmonie)  
Marcus Ebener  
(Staatsoper Unter den Linden)  
Uwe Ditz  
(Products)  
Tilgner-Kempf  
(Cover, Products)

**Retouching**

Wagnerchic  
(Cover, S. 12/13, 22/23, 32/33, 42/43, 50/51, 60/61)

**Printing**

Designpress

**Contact**

Wilde + Spieth  
Designmöbel GmbH & Co. KG  
Röntgenstrasse 1-1  
D-73730 Esslingen, Germany  
info@wilde-spieth.com  
+49 711 351 30 30  
www.wilde-spieth.com

For further information  
[www.wilde-spieth.com](http://www.wilde-spieth.com)

Made in Germany